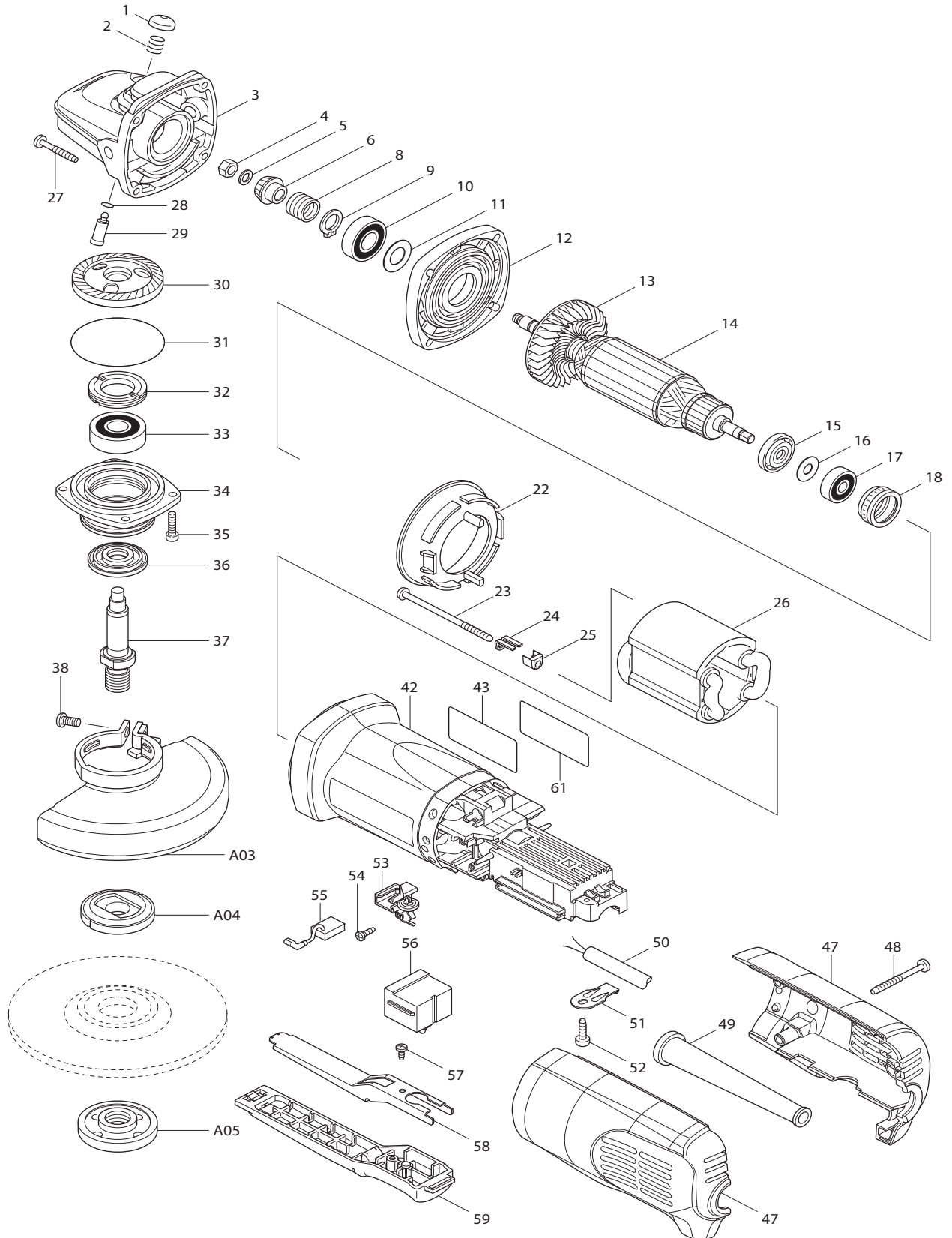




11 - 2012
9564P
4-1/2" GRINDER, PADDLE



Item No	Type	Ref	Part No	Description	Qty	Unit
001			418067-8	PIN CAP	1	PC.
002			233072-2	COMPRESSION SPRING 8	1	PC.
003			153488-4	GEAR HOUSING COMPLETE	1	PC.
		INC.	211021-9	BALL BEARING 607LLB	1	PC.
004			931303-0	HEX. NUT M6	1	PC.
005			253077-6	FLAT WASHER 6	1	PC.
006			227513-8	SPIRAL BEVEL GEAR 11	1	PC.
008			233901-9	LOCK SPRING 12	1	PC.
009			961052-5	RETAINING RING S-12	1	PC.
010			211142-7	BALL BEARING 6001LLB	1	PC.
011			253084-9	FLAT WASHER 12	1	PC.
012			317359-1	GEAR HOUSING COVER	1	PC.
013			240033-5	FAN 57	1	PC.
		INC.		ITEM. 13,15-17		
014			515231-3	ARMATURE ASS'Y 115V	1	PC.
015			681656-4	INSULATION WASHER	1	PC.
016			253823-7	FLAT WASHER 7	1	PC.
017			210027-4	BALL BEARING 627DDW	1	PC.
018	1		421738-8	LABYRINTH RUBBER RING 22	1	PC.
	2		422750-1	LABYRINTH RUBBER RING 22	1	PC.
022			413076-2	BAFFLE PLATE	1	PC.
023			266258-3	TAPPING SCREW 4X70	2	PC.
024			344871-8	RETAINER	2	PC.
025			417237-6	INSULATION COVER	2	PC.
026			621761-5	FIELD 115V	1	PC.
027			266257-5	TAPPING SCREW 4X28	4	PC.
028			213048-5	O RING 6	1	PC.
029			256459-1	PIN	1	PC.
030			227514-6	SPIRAL BEVEL GEAR 38	1	PC.
031			213673-2	O RING 52	1	PC.
032			285841-7	BEARING RETAINER	1	PC.
033			211129-9	BALL BEARING 6201DDW	1	PC.
034	2		318334-0	* BEARING BOX	1	PC.
035			265490-6	HEX. SOCKET HEAD BOLT M4X16	4	PC.
036			415300-9	LABYRINTH RING	1	PC.
037			324038-4	SPINDLE	1	PC.
038	2		265180-1	* PAN HEAD SCREW M5X16	1	PC.
042	1		142005-5	MOTOR HOUSING COMPLETE	1	PC.
		INC.	801C37-6	CAUTION LABEL	1	PC.
		INC.	810341-4	CAUTION LABEL	1	PC.
	2		144164-1	MOTOR HOUSING COMPLETE	1	PC.
		INC.	801C37-6	CAUTION LABEL	1	PC.
		INC.	810341-4	CAUTION LABEL	1	PC.
043			814E17-5	9564P NAME PLATE	1	PC.
047	1		188364-3	* REAR COVER SET	1	SET
	2		183U30-3	* REAR COVER SET	1	SET
048			266048-4	TAPPING SCREW 4X40	3	PC.
049			682566-8	CORD GUARD 10	1	PC.
050			664265-4	CORD W/PLUG 2P-16-2.5M, SJ	1	PC.
051			687169-3	STRAIN RELIEF	1	PC.
052			266192-7	TAPPING SCREW 4X14	1	PC.
053			643760-7	BRUSH HOLDER	2	PC.
054			266256-7	TAPPING SCREW PT3X10	4	PC.
055			195001-2	CARBON BRUSH SET CB-325	1	SET
056			650579-7	SWITCH 1246.3223	1	PC.
057			265954-0	TAPPING SCREW BIND PT3X8	1	PC.
058			345504-8	PLATE	1	PC.
059			154584-1	SWITCH LEVER B COMPLETE	1	PC.
061			819356-8	CLEAR LABEL	1	PC.
C01A			848812-1	CARTON FOR 9564P	1	PC.
D01			652044-2	+BIND SCREW M3.5X5.0	2	PC.

Item No	Type	Ref	Part No	Description	Qty	Unit
D03			654117-7	INSULATING TERMINAL	2	PC.
D04			654285-6	RECEPTACLE	2	PC.
ACCESSORIES			- See Catalogue or visit www.makita.ca for more accessories -			
A01			153489-2	GRIP 36 COMPLETE (Resin Grip)	1	PC.
	Opt.		194514-0	VIBRATION PROOF GRIP F/4" - 6", PKG	1	PC.
A02			782424-9	LOCK NUT WRENCH 28	1	PC.
A03	1		135107-4	* TOOLLESS WHEEL COVER 115A ASS'Y F/ 4-1/2"	1	PC.
		INC.		* ITEM. 38		
	2		135635-9	* 4-1/2" TOOLLESS WHEEL COVER ASS'Y (H:46mm)	1	PC.
		INC.		* ITEM. 38		
	3		123144-0	* 4-1/2" TOOLLESS WHEEL COVER ASS'Y (H:46mm)	1	PC.
		INC.	213009-5	* O RING 4 (Added)	1	PC.
		INC.		* ITEM. 38		
A04			224399-1	INNER FLANGE 45	1	PC.
A05			224568-4	LOCK NUT 5/8-45	1	PC.
A06			743036-3	RUBBER PAD 100	1	PC.
A07	2		196845-3	* DUST COLLECTION COVER 5" DMND, TUCKPOINT BLADE	1	PC.
A09	2		P-80008	ELBOW JOINT 32	1	PC.
A10	2		196575-6	* DUST COLLECTION COVER 4-1/2-5" - See Parts Breakdown #196575-6	1	PC.
A11			193048-0	SANDING LOCK NUT 14-48	1	PC.
A12			417322-5	HEAD COVER	1	PC.
A13	2		122910-2	* CUT-OFF WHEEL GUARD F/4-1/2"	1	PC.
A15			195446-4	DUST COVER SCREEN ATTACHMENT SET	1	PC.

SERVICE CHANGES

1. Changes on Wheel Cover Assembly

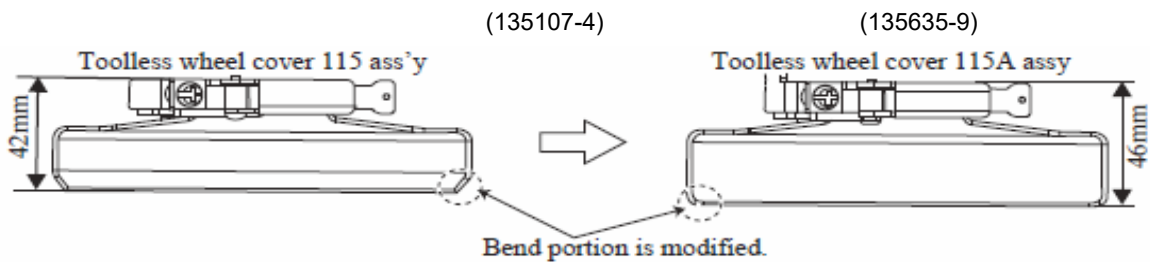
(TI#A6543) (TI#B3761)

Item No.	Description	Type 1	Type 2	Type 3
34	Bearing Box		318302-3	318334-0
38	Pan Head Screw M5X16		251391-4	265180-1
A03	Toolless Wheel Cover Ass'y > Toolless Wheel Cover 115A Ass'y	135107-4	135635-9	123144-0
A03 Inc.	O Ring 4		-----	213009-5
A07 Opt.	Dust Collection Wheel Cover > Dusct Collection Cover F/Diamond & Tuckpoint Blade		193794-5	196845-3
A10 Opt.	Dust Cover Collector Set		195236-5	196575-6
A13 Opt.	Cut-Off Wheel Guard F/4-1/2"		122642-1	122910-2

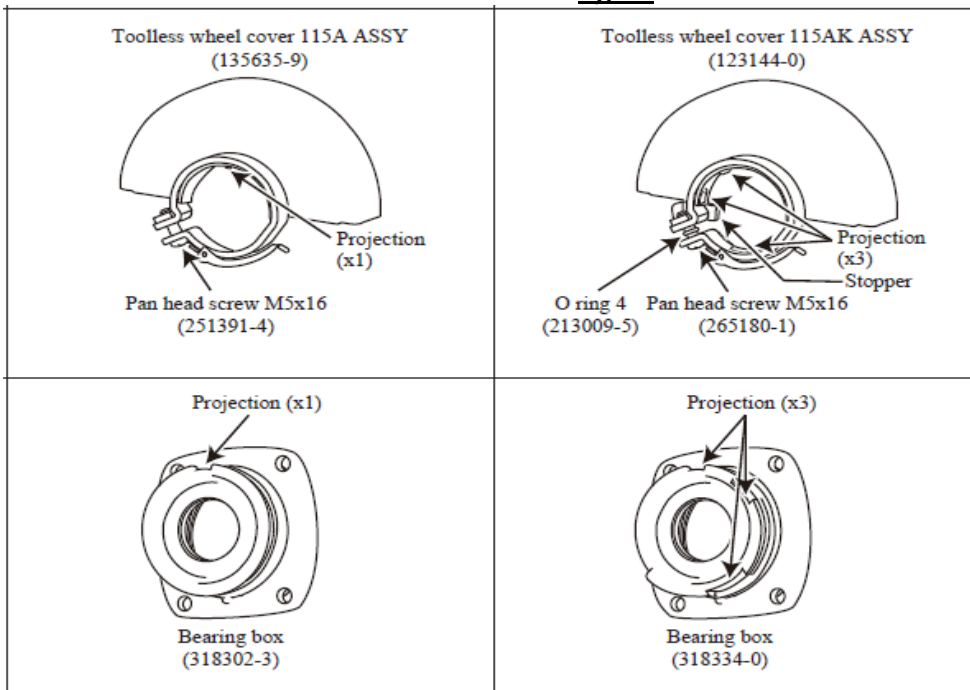
Above parts are completely interchangeable as a set.

Type 1

Type 2



Type 3



2. Changes on Rear Cover Set

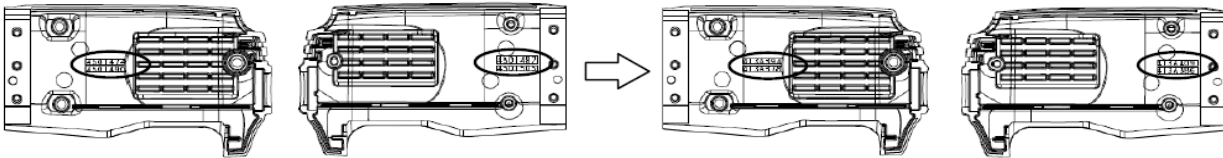
(T/I#DB563)

Item No.	Description	Type 1	Type 2
047	REAR COVER SET	188364-3	183U30-3

The current parts in stock can be used until May 2023.

The use of the current parts will be prohibited from June 2023 due to the revised standard.

[2] 9564P, 9564PC, 9565P, 9565PC, 9566PC



The side thickness of Rear cover will be slightly increased and the molded numbers designated in circles will be changed to distinguish the new from the current.